

## SERIES 60/65 E-Z-FIT BASE

### FUNCTION

The Series 60/65 E-Z-Fit base is an ultra-low profile mounting base for Series 60/65 and Series 60A smoke and heat detectors and can be fitted to mounting boxes up to 4in (100mm) in size.

### FEATURES

The E-Z-Fit base is so designed that both screws of a 4in box can be fitted loosely to it before offering up the base.

In the case of smaller boxes one screw is fitted first.

The screws are concealed in use by hinged covers, which are closed after tightening the fixing screws. The detector head locks the hinged covers when closed and, since the detector head can be locked into the base with the standard locking screw, the E-Z-Fit base offers a very high degree of protection against unauthorised removal of detectors.

### INSTALLATION

Fit mounting box and, depending on the size of the box (see 'FEATURES'), insert one or both screws.

Move the E-Z-Fit base to left or right until it is correctly positioned and tighten up both fixing screws.

Close both hinged covers.

Cables may now be fitted to the E-Z-Fit base.



Part no: 45681-251

### MECHANICAL CONSTRUCTION

The E-Z-Fit base is a self-extinguishing polycarbonate moulding with nickel-plated steel terminals for connecting a detector. The associated detector can be locked into the base using the normal locking screw.

### Dimensions and weight of E-Z-Fit base:

161mm diameter x 16mm high 90g

161mm diameter x 52mm high (base with detector fitted)

The Series 60 E-Z-Fit base is also available with a flashing red LED, part no. 45681-252.



© Apollo Fire Detectors Limited 1998-2005



INVESTOR IN PEOPLE

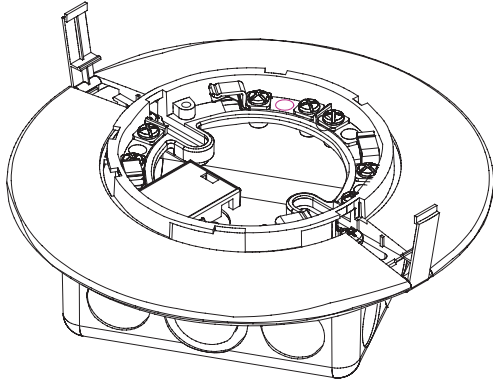


Assessed to ISO 9001: 2000  
Quality Systems Certificate number 010



36 Brookside Road, Havant, Hampshire PO9 1JR, England.

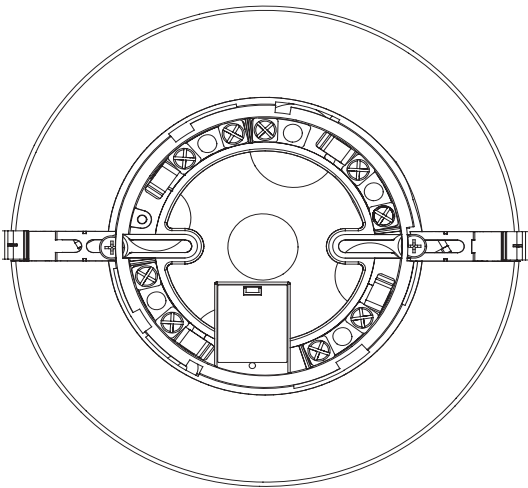
Tel: +44 (0)23 9249 2412 Fax: +44 (0)23 9249 2754 Website: [www.apollo-fire.co.uk](http://www.apollo-fire.co.uk) Email: [sales@apollo-fire.co.uk](mailto:sales@apollo-fire.co.uk)



**Step 1**

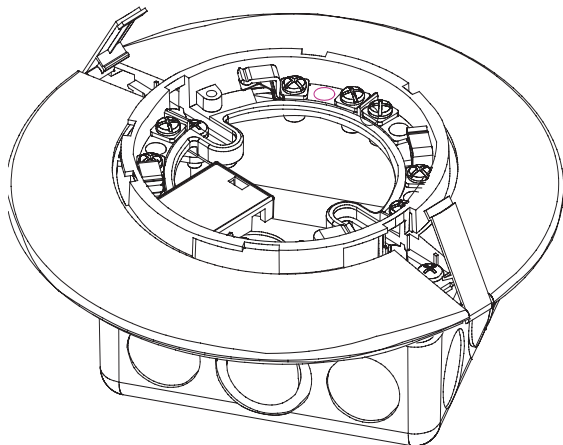
Fit both screws to mounting box (4in only). Fit one screw to other size boxes.

Place E-Z-Fit base over box and fit second screw where necessary.



**Step 2**

Centre E-Z-Fit base on box and tighten screws.



**Step 3**

Snap covers into position.