

# Waterproof Addressable Manual Call Point



## Product Overview

Product Type	Waterproof Addressable Manual Call Point
Part No.	58200-950 (Red) 58200-951 (Red) with Isolator 58200-953 (Yellow) with Isolator
Digital Communication Protocol	XP95®, Discovery® & CoreProtocol® compatible

## Product Information

The Waterproof Addressable Manual Call Point has been designed to operate on a loop of intelligent fire detection devices and when activated interrupts the polling cycle for a very fast response.

The Waterproof Addressable Manual Call Point is available with and without isolator. It is intended for outdoor applications or areas where water ingress or high humidity is a problem.

- Resettable operating element
- Easy access, front reset mechanism
- Ergonomic reset key
- Captive screws for easy installation
- Flashing Poling LED Option
- EN 54-11 Certified\*
- EN 54-17 Certified\*\*
- IP56 rated (with IP67 rated electronics enclosure)

\* Part No. 58200-950 & 58200-951

\*\* Part No. 58200-951 only

## Technical Data

<b>Supply voltage</b>	17-28V dc
<b>Digital Communications Protocol</b>	XP95, Discovery & CoreProtocol compatible 5-9V Peak to Peak
<b>Current Consumption (max) at 24V dc</b>	
<b>Power Up Surge (1s typical)</b>	1mA
<b>Quiescent</b>	100µA
<b>Alarm current (LED On)</b>	4mA
<b>Operating temperature</b>	-30°C to +70°C
<b>Humidity</b>	0% to 95%RH (no condensation or icing)
<b>Vibration, impact and shock</b>	EN 54-11* & EN 54-17**
<b>IP Rating</b>	IP56 rated (with IP67 rated electronics enclosure)
<b>Approvals &amp; standards*</b>	EN 54-11, EN 54-17**, CPR, BOSEC, ESC, FG, SBSC, VNIPO & SAI**
<b>Dimensions</b>	114mm height x 114mm width x 74mm depth
<b>Weight</b>	325g

## Electrical consideration

The Waterproof Addressable Manual Call Point is loop powered and operates at 17-28V dc for all variants.

Table 1 Digital communications protocol compatibility

Protocol	Device behaviour
XP95 <sup>†</sup>	XP95
Discovery <sup>†</sup>	Discovery
CoreProtocol <sup>†</sup>	Discovery

<sup>†</sup> Fire control panel dependant

## Mechanical construction

The component parts of the Manual Call Point are moulded in a robust fire retardant polycarbonate. Figure 1 shows the mounting hole dimensions and the available cable entry glands and Figure 2 shows the overall dimensions.

## IP rated installations

Apollo recommends installing the Waterproof Manual Call Point using cable entry from the bottom of the MCP. It is important that correctly IP rated cable glands are used to ensure the IP rating of the device is not compromised. All cable glands and unused cable entry blanking plugs must be fully tightened and sealed to ensure the IP integrity is maintained. Use of PTFE or similar thread sealer is recommended.

# Waterproof Addressable Manual Call Point

## Operating Principles

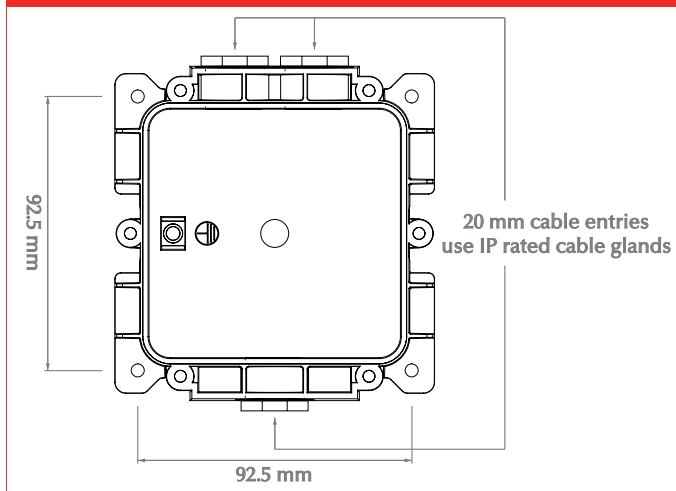
The address of each Manual Call Point is set at the commissioning stage by means of a seven-segment DIL switch.

A red alarm LED is provided on the Manual Call Point. This LED is controlled independently of the Manual Call Point, by the fire control panel.

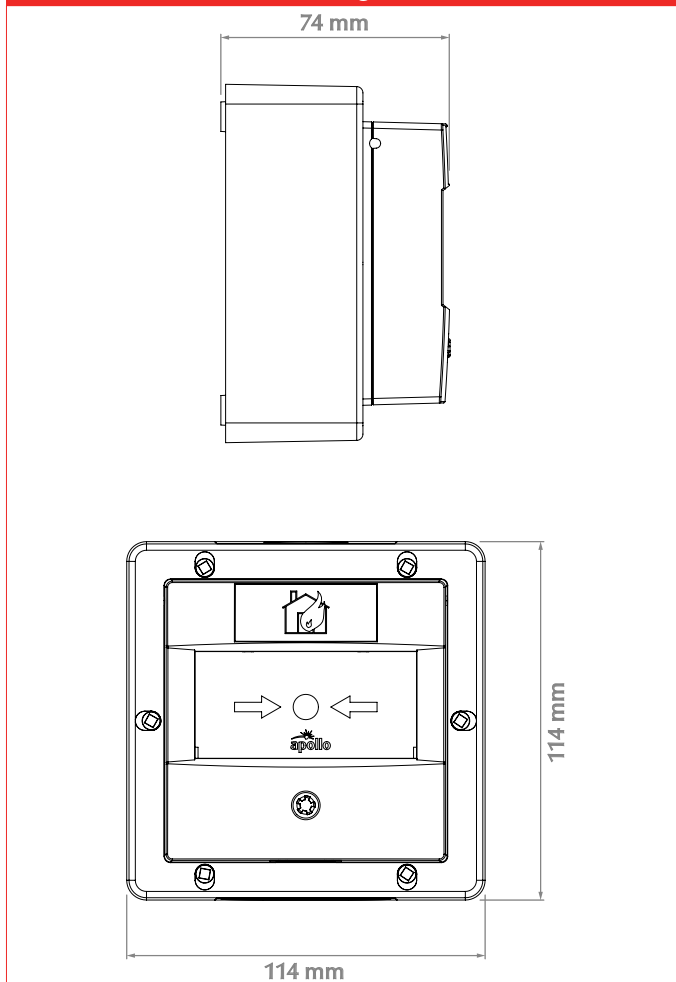
Once activated, the Manual Call Point can be reset by inserting the reset key into the front facing LED, turning clockwise until a positive click and reset occurs.

The isolated version of the Manual Call Point incorporates a short circuit isolator which will ensure its operation in the event of a short circuit fault on the loop. Isolator operation is indicated by a yellow LED. For further details of the isolator refer to datasheet PP2090, available on request.

**Figure 1 Waterproof Addressable Manual Call Point backbox**



**Figure 2 Waterproof Addressable Manual Call Point dimensional drawing**



**Table 2 Analogue values**

16	Quiescent
64	Alarm

## EMC Directive 2004/108/EC

The Manual Call Point complies with the essential requirements of the EMC Directive 2004/108/EC, provided that it is used as described in this data sheet.

A copy of the Declaration of Conformity is available from Apollo on request.

Conformity of the Manual Call Point with the EMC Directive does not confer compliance with the directive on any apparatus or systems connected to it.

## Construction Products Directive 89/106/EEC

The Manual Call Point complies with the essential requirements of the Construction Products Directive 89/106/EEC.