

Marine Waterproof Manual Call Point



Technical Data

Supply voltage	17-28 V dc
Digital Communications Protocol	XP95, Discovery and CoreProtocol compatible 5-9 V Peak to Peak
Current Consumption (max) at 24 V dc	
Power Up Surge (1s typical)	1 mA
Quiescent	100 µA
Alarm current (LED On)	4 mA
Operating temperature	-30°C to +70°C
Humidity	0% to 95% RH (no condensation or icing)
Vibration, impact and shock	EN 54-11 EN54-17 (isolated version)
IP Rating	designed to IP67
Approvals & standards	EN 54-11, CPR, MED, LR, ABS and SBSC
Dimensions	114 mm height x 114 mm width x 74 mm depth
Weight	325 g
Material	Housing: Red self-coloured polycarbonate/ABS

Product Overview

Product	Marine Waterproof Manual Call Point
Part No.	58200-975MAR
Product	Marine Waterproof Manual Call Point with isolator
Part No.	58200-976MAR
Digital Communication Protocol	XP95®, Discovery® & CoreProtocol® compatible

Approvals

Part No. 58200-975MAR



Part No. 58200-976MAR



Product Information

The Marine Waterproof Manual Call Point (MCP) has been designed to operate on a loop of intelligent fire detection devices and when activated interrupts the polling cycle for a very fast response.

The Marine Waterproof Manual Call Point is available with and without isolator. It is intended for outdoor applications or areas where water ingress or high humidity is a problem.

- Resettable operating element
- Easy access, front reset mechanism
- Ergonomic reset key
- Captive screws for easy installation
- Flashing Poling LED Option
- EN 54-11 Certified
- Marine Equipment Directive 2014/90/EU certified

Operation

A red alarm LED is provided on the MCP. This LED is controlled independently of the MCP, by the fire control panel.

Once activated, the MCP can be reset by inserting the reset key into the front facing LED, turning clockwise until a positive click and reset occurs.

The isolated version of the MCP incorporates a short circuit isolator which will ensure its operation in the event of a short circuit fault on the loop. Isolator operation is indicated by a yellow LED. For further details of the isolator refer to datasheet PP2090, available on request.

IP rated installations

Apollo recommends installing the Marine Waterproof MCP using cable entry from the bottom of the MCP. It is important that correctly IP rated cable glands are used to ensure the IP rating of the device is not compromised. All cable glands and unused cable entry blanking plugs must be fully tightened and sealed to ensure the IP integrity is maintained. Use of PTFE or similar thread sealer is recommended.

Addressing

The address of each Marine Waterproof MCP is set at the commissioning stage by means of a seven-segment DIL switch.

Electrical description

The Marine Waterproof MCP is loop-powered and operates at 17 - 28 V dc for both variants.

Protocol compatibility

The Marine Waterproof MCP is intended for use with equipment using the Apollo XP95, Discovery and CoreProtocol protocols. The table that follows shows how the device will behave.

Digital communication protocol compatibility

Protocol	Device behaviour
XP95 [†]	XP95
Discovery [†]	Discovery
CoreProtocol [†]	Discovery

[†]Fire control panel dependant

EMC Directive 2014/30/EU

The Marine Waterproof Manual Call Point complies with the essential requirements of the EMC Directive 2014/30/EU, provided that it is used as described in this data sheet.

A copy of the Declaration of Conformity is available from Apollo on request.

Conformity of the Marine Waterproof Manual Call Point with the EMC Directive does not confer compliance with the directive on any apparatus or systems connected to it.

Construction Products Directive 305/2011/EU

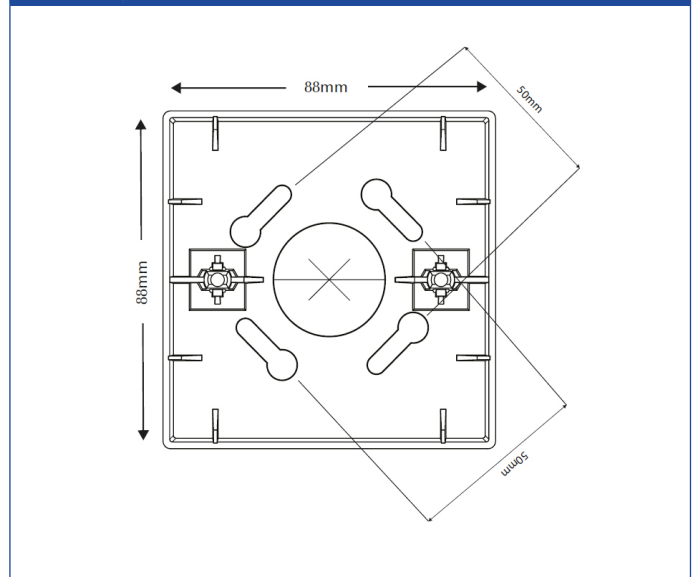
The Manual Call Point complies with the essential requirements of the Construction Products Directive 305/2011/EU.

A copy of the Declaration of Conformity is available from www.apollo-fire.co.uk.

Marine Equipment Directive 2014/90/EU

The Marine Waterproof Manual Call Point complies with the essential requirements of the Marine Equipment Directive 2014/90/EU.

Marine Waterproof Manual Call Point dimensional drawing



Marine Waterproof Manual Call Point backbox

