



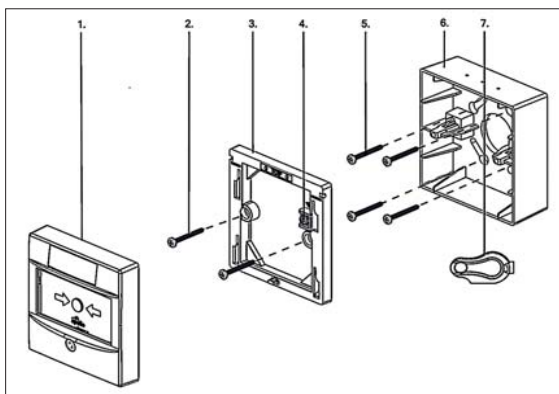
Dual Switch Manual Call Point Installation Guide

Part No	Product Name	Type
SA5900-011	Dual Switch Manual Call Point (Green)	Indoor

Technical Information

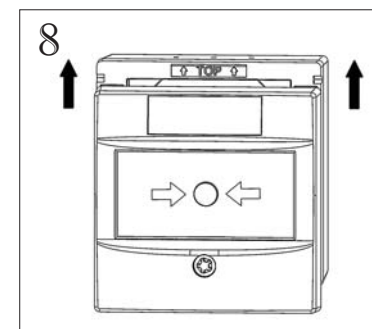
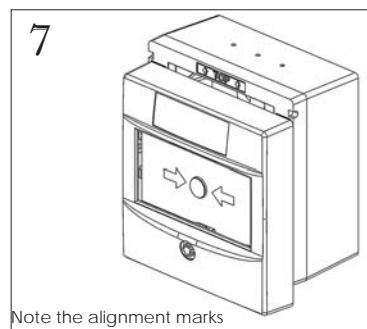
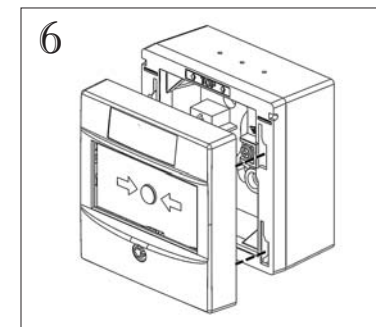
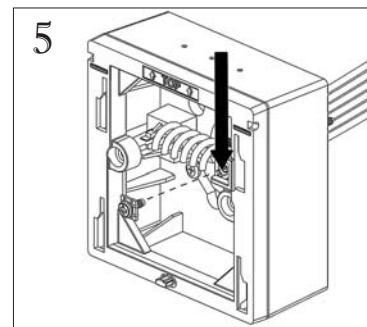
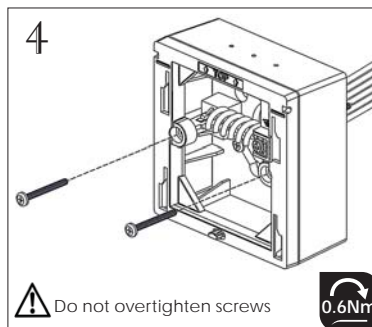
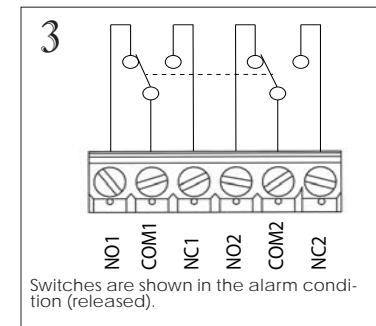
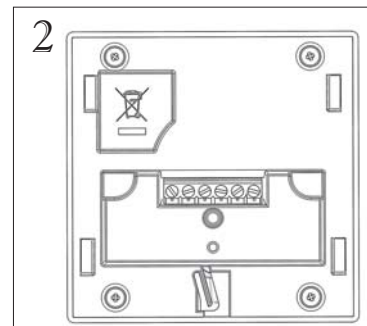
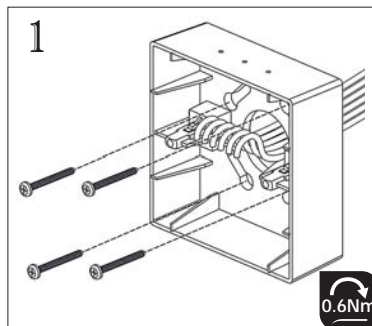


Product Overview

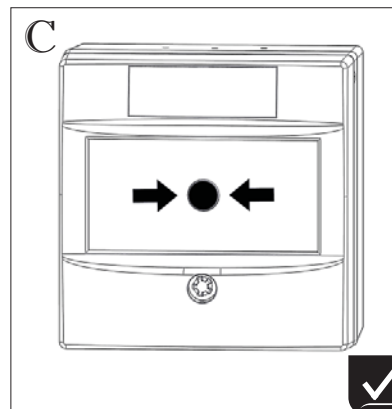
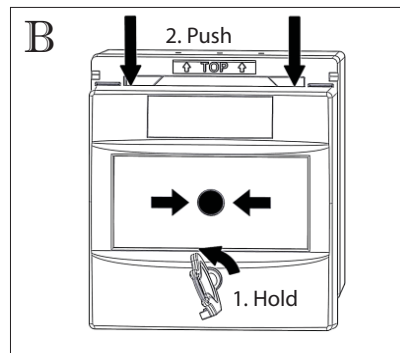
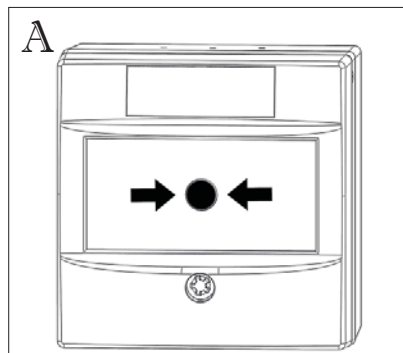


Item	Qty.	Item	Qty.
1. Head unit	1	5. Fixing screws (NOT SUPPLIED)	N/A
2. Fixing screws	2		
3. Mounting bracket	1	6. Backbox	1
4. Earth Continuity Terminal	1	7. Reset key	1

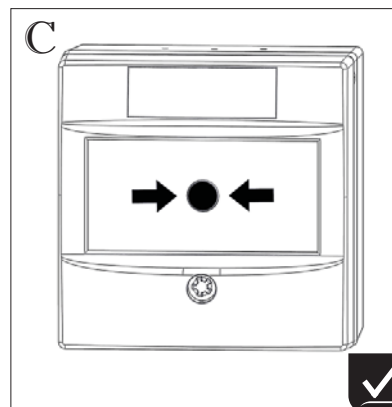
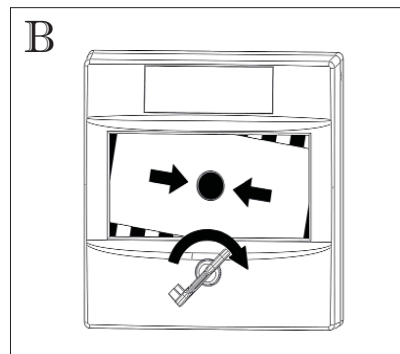
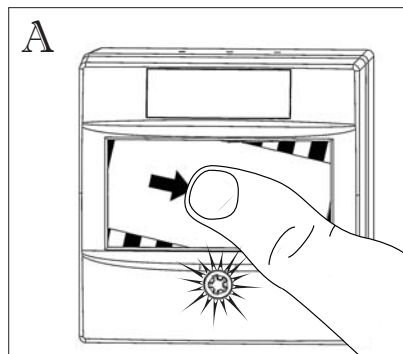
Installation



Removal



Testing



Commissioning

The installation must conform to BS5839-1 (or applicable local codes).

Transparent Hinged Cover

To provide additional protection against accidental operation, a Transparent Hinged Cover, part no 44251-189, is available or 44251-175 for multiples of 10.