

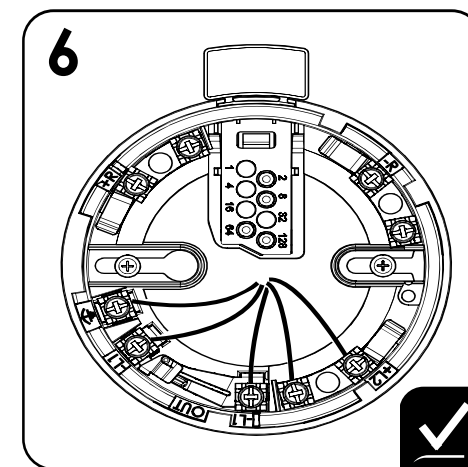
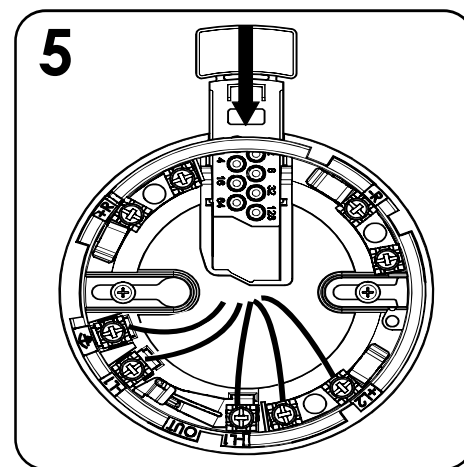
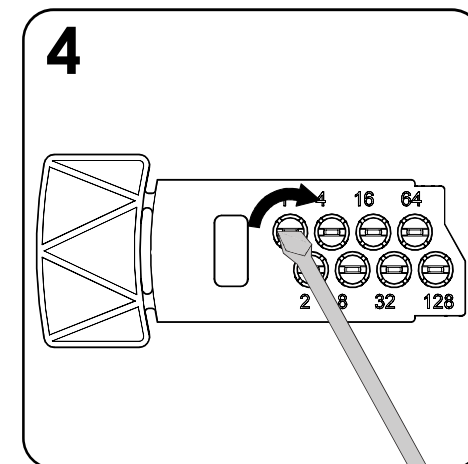
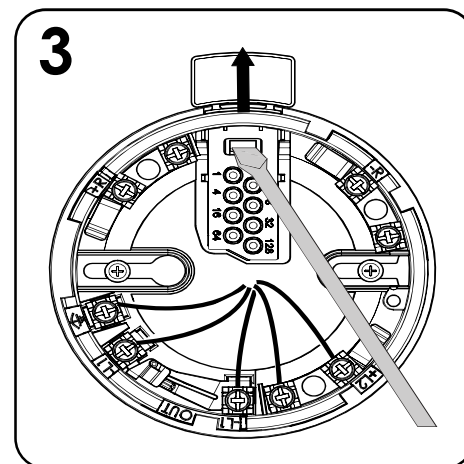
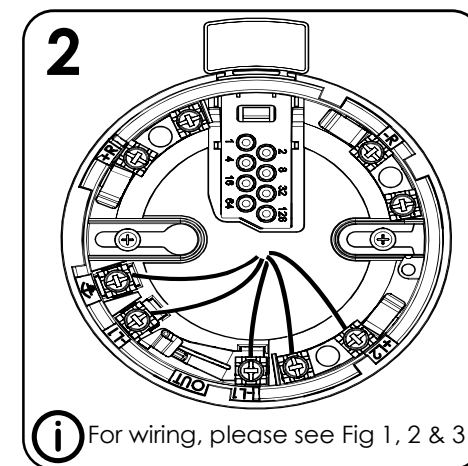
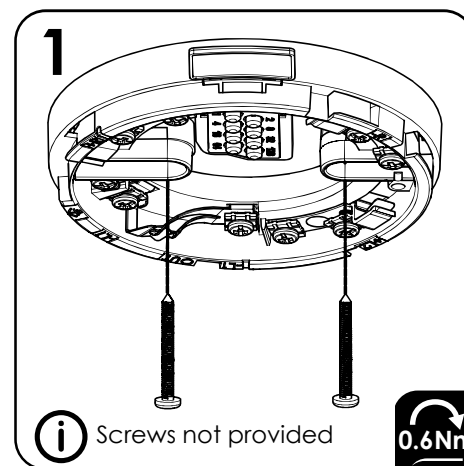


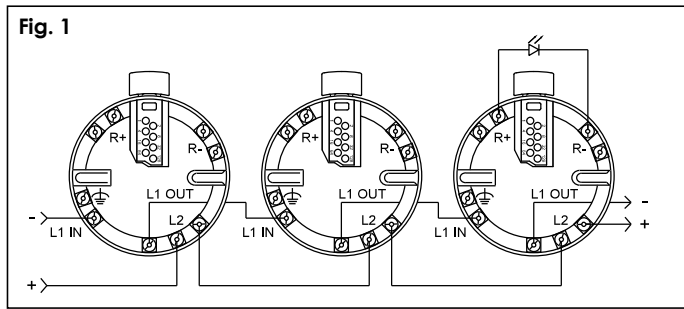
XPERT 8 Mounting Base Installation Guide

Product Code	Description
SA5000-200	XPERT 8 Mounting Base - White
SA5000-202	XPERT 8 Mounting Base - Red
SA5000-204	XPERT 8 Mounting Base - Black

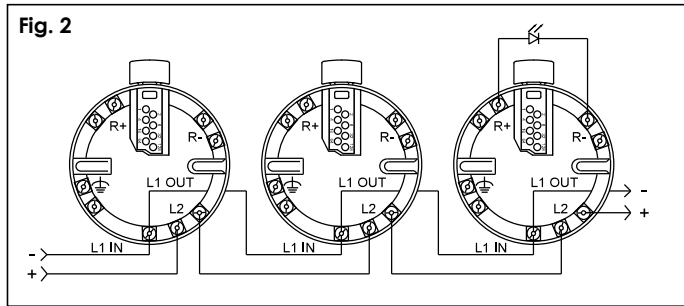
For a list of compatible detectors, please see the table below:

Product Code	Description
55000-400	XP95 Heat Detector (A2S)
55000-600	XP95 Optical Smoke Detector
55000-620	XP95 Optical Smoke Detector
55000-660	XP95 Optical Smoke Detector - Black
55000-885	XP95 Multi-Sensor Detector (Optical/Heat)
58000-300	Discovery Carbon Monoxide Detector
58000-305	Discovery Multi-Sensor Detector (CO/Heat)
58000-400	Discovery Heat Detector
58000-600	Discovery Optical Smoke Detector
58000-700	Discovery Multi-Sensor Detector (Optical/Heat)
SA5100-400	Soteria Heat Detector
SA5100-600	Soteria Optical Smoke Detector
SA5100-700	Soteria Multi-Sensor Detector (Optical/Heat)
SA5100-760	Soteria Multi-Sensor Detector (Optical/Heat) - Black
SA5300-300	Soteria Sounder Base
SA5300-320	Soteria VID Base (White Flash)
SA5300-321	Soteria VID Base (Red Flash)
SA5300-350	Soteria Sounder VID Base (White Flash)
SA5300-351	Soteria Sounder VID Base (Red Flash)
SA5500-300	Intelligent Open-Area Sounder - Red Body
SA5500-350	Intelligent Open-Area Sounder VID - Red Body (White Flash)
SA5500-351	Intelligent Open-Area Sounder VID - Red Body (Red Flash)
SA5501-300	Intelligent Open-Area Sounder - White Body
SA5501-320	Intelligent Open-Area VID - White Body (White Flash)
SA5501-321	Intelligent Open-Area VID - White Body (Red Flash)
SA5501-350	Intelligent Open-Area Sounder VID - White Body (White Flash)
SA5501-351	Intelligent Open-Area Sounder VID - White Body (Red Flash)

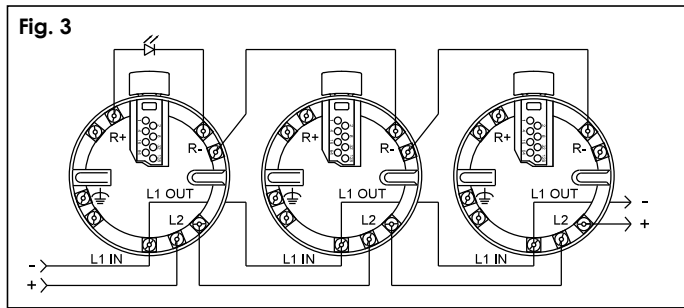




Schematic Wiring Diagram - XPERT 8 Mounting Base



Schematic Wiring Diagram - XPERT 8 Mounting Base Detector Circuit non-isolated



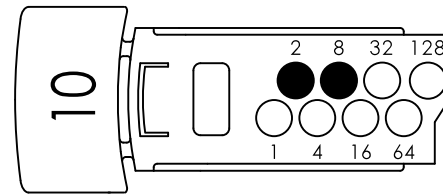
Schematic Wiring Diagram - XPERT 8 Mounting Base Detector Circuit non-isolated with a Common Remote LED.

For further information please refer to:

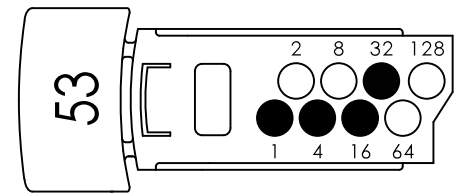
- Soteria Data sheets PP2515, PP2516, PP2517
- Discovery Engineering Product Guide PP2052
- XP95 Engineering Product Guide PP1039

XPERT 8 Card Addressing

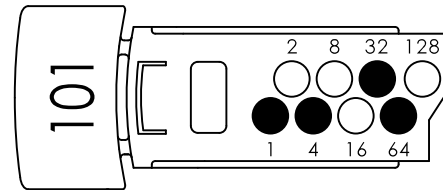
Select the desired address and remove the pips indicated in black



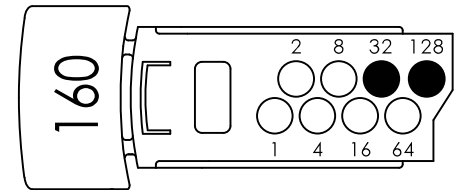
$$2 + 8 = 10$$



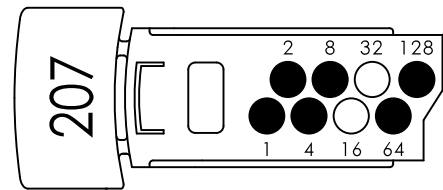
$$1 + 4 + 16 + 32 = 53$$



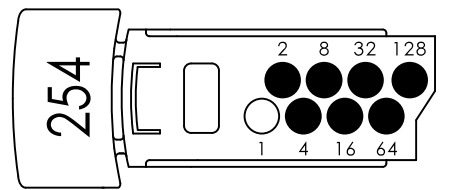
$$1 + 4 + 32 + 64 = 101$$



$$32 + 128 = 160$$



$$1 + 2 + 4 + 8 + 64 + 128 = 207$$



$$2 + 4 + 8 + 16 + 32 + 64 + 128 = 254$$

To reach maximum address range use XPERT 8 Mounting Base with XPERT 8 card, Soteria Detector and Core Protocol Control Panel.