



AlarmSense Manual Call Point Installation Guide

Part No	Product Name	Type
55400-894	AlarmSense Manual Call Point (Red)	Indoor

Technical Information

I <10µA (15V supply voltage)

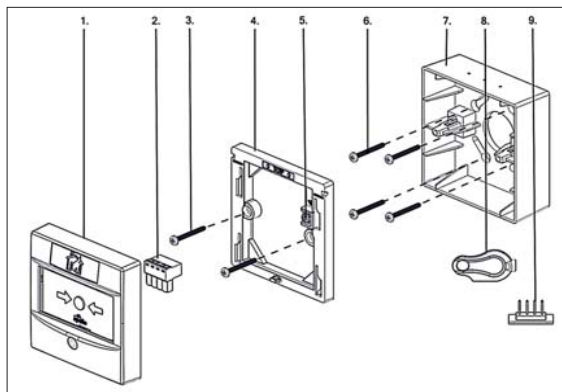
V 9-33V DC

I 2-8.5V <1.5mA
10.5-15V 30±4mA
18-24V <1.5mA
33V <2mA

°C -40°C to 70°C

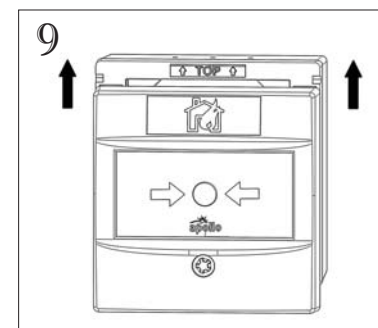
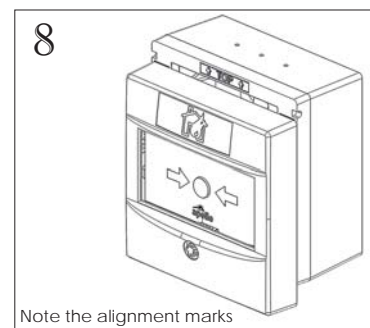
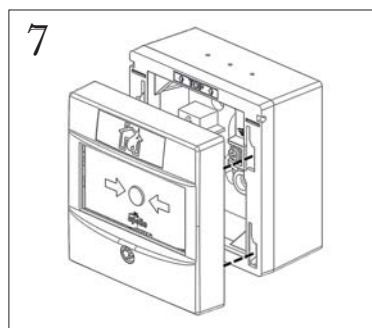
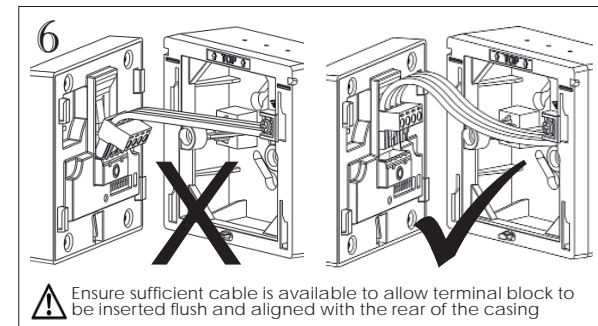
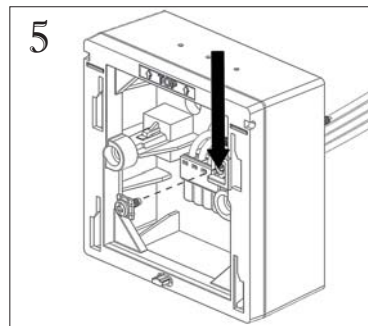
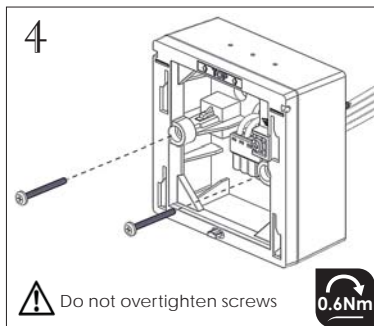
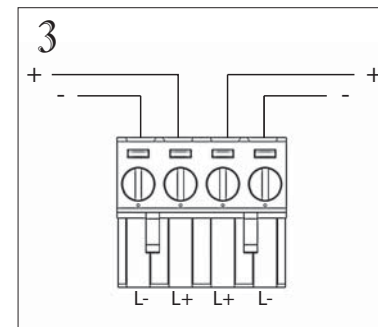
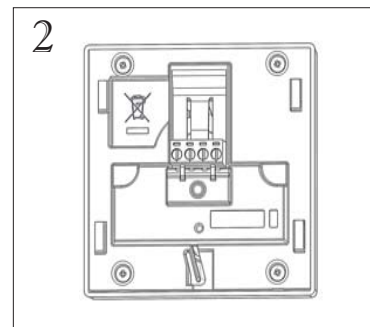
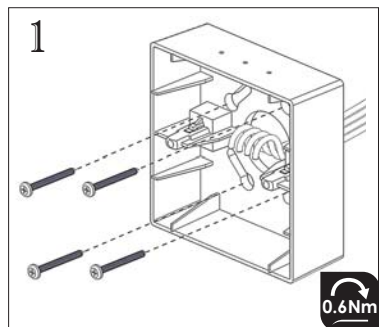
IP IP44

Product Overview

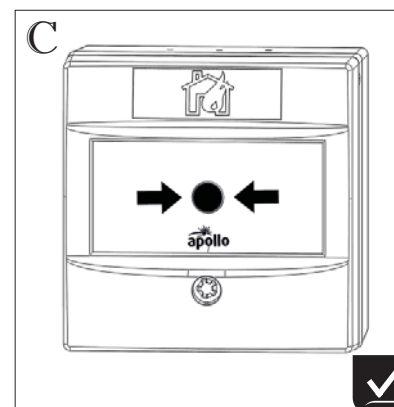
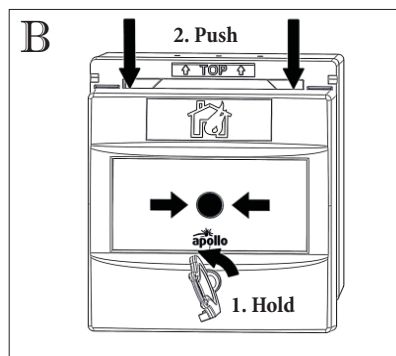
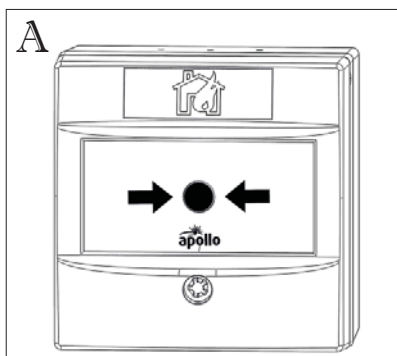


	Item	Qty.		Item	Qty.
1.	Head unit	1	6.	Fixing screws (NOT SUPPLIED)	N/A
2.	Connector block	1		7.	Backbox
3.	Fixing screws	2	8.	Reset key	1
4.	Mounting bracket	1	9.	Continuity link	1
5.	Earth Continuity Terminal	1			

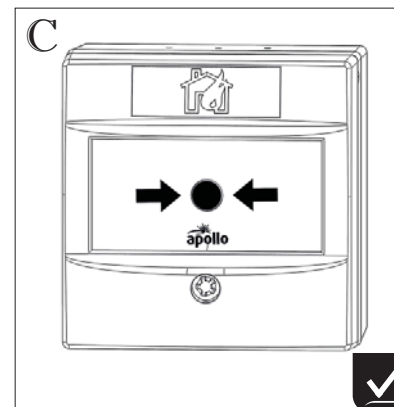
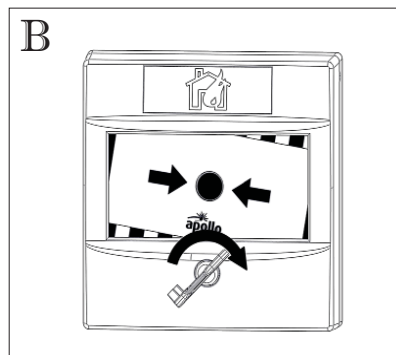
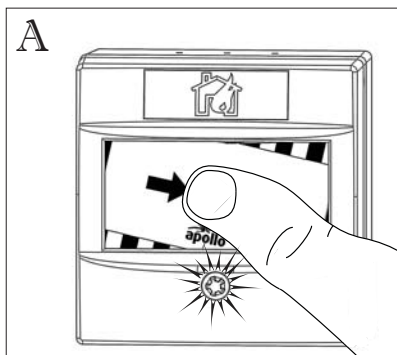
Installation



Removal



Testing



LED Indicator

Illuminated red when call point is operated.

Commissioning

The installation must conform to BS5839-1 (or applicable local codes).

Transparent Hinged Cover

To provide additional protection against accidental operation, a Transparent Hinged Cover, part no 44251-189, is available or 44251-175 for multiples of 10.

PP2528 - AlarmSense Manual Call Point Datasheet

Troubleshooting

Before investigating individual units for faults, it is important to check that the system wiring is fault free. Earth faults on data loops or interface zone wiring may cause communication errors.

Problem	Possible Cause
Control panel reports zone fault	Incorrect zone wiring Detector Removed EOL device missing or incorrectly fitted
Control panel reports alarm	MCP not reset Incorrect EOL device Incorrect wiring
MCP does not activate alarm	Incompatible control panel